

SONAROL

SONAROL Sp.j. Najda

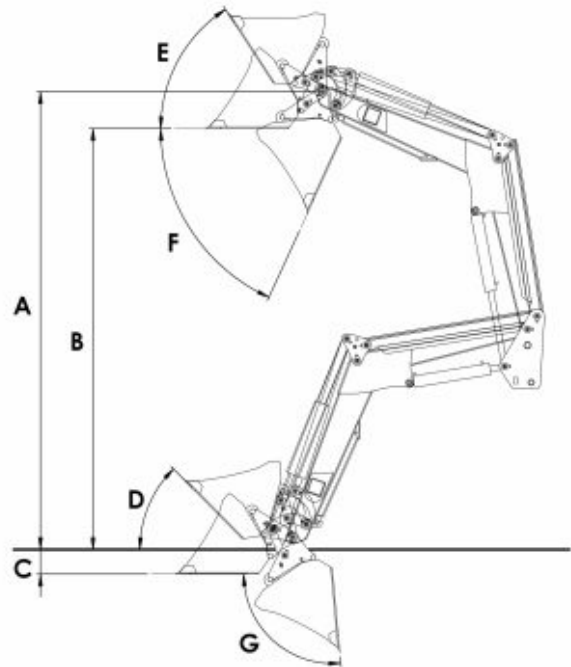


**AGRICULTURAL
MACHINERY**

www.sonarol.pl

FRONT END LOADER THREE-SECTION

LC SNR 300/300L/400/400L/500/500L



	Units	Front end loader						
		LC SNR 300	LC SNR 300L	LC SNR 400	LC SNR 400L	LC SNR 500	LC SNR 500L	
1	Lifting capacity at pivot pin	kg	1650		1850		1850	
2	Cylinders	mm	70/80		80/80		90/80	
3	Lifting height (A)	mm	3500		3700		4000	
4	Loading height (B)	mm	3200		3400		3700	
5	Digging depth (C)	mm	200		200		200	
6	Bucket closing angle at a lower position (D)	°	45		45		45	
7	Bucket closing angle at an upper position (E)	°	57		57		57	
8	Bucket tilting angle at an upper position (F)	°	65		65		65	
9	Bucket tilting angle at a lower position (G)	°	95		95		95	
10	Loader's weight	kg	520		560		625	
11	Joystick control	-	standard		standard		standard	
12	Attachment of EURO hook equipment	-	standard		standard		standard	
13	Joystick activated shock absorber	-	standard	not available	standard	not available	standard	not available

Additional payment for:

- hydraulic quick-connect fitting for flat manifold
- custom color

* All given prices are nett in Euro.

FRONT END LOADER THREE-SECTION



		Units	Front end loader			
			ŁC SNR 100		ŁC SNR 200	
1	Lifting capacity at pivot pin	kg	800		1200	
2	Cylinders	mm	63/50		63/63	
3	Lifting height (A)	mm	3100		3400	
4	Loading height (B)	mm	2800		3100	
5	Głębokość kopania (C)	mm	100-200		100-200	
6	Bucket closing angle at a lower position (D)	°	46		46	
7	Bucket closing angle at an upper position (E)	°	58		58	
8	Bucket tilting angle at an upper position (F)	°	61		61	
9	Bucket tilting angle at a lower position (G)	°	60		75	
10	Loader's weight	kg	330		370	
11	Joystick control	-	standard		standard	
12	Attachment of EURO hook equipment	-	standard		standard	
13	Joystick activated shock absorber	-	standard	not available	standard	not available

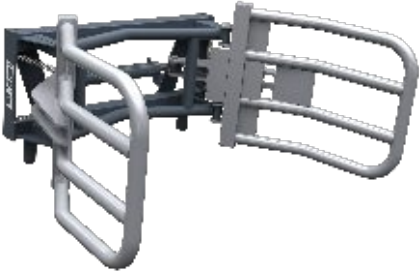
Additional payment for:

- hydraulic quick-connect fitting for flat manifold
- custom color

* All given prices are nett in Euro.

EQUIPMENT FOR FRONT END LOADERS

BALE CLAMP



BALE CLAMP CBE SNR 1500/1/...*

width: 1550 mm | load capacity: 700 kg | weight: 180 kg |

BALE CLAMP



BALE CLAMP CB SNR 1700/1/...*

width: 1700 mm | load capacity: 900 kg | weight: 215 kg |

BALE CLAMP COMBI



BALE CLAMP COMBI CBC SNR 2000/1/...*

width: 2000 mm | load capacity: 1200 kg** | weight: 290 kg + 75 kg*** |

**weight of bale wrapped up to 800 kg
*** weight of the arms to the foil

GRAPPLE FOR STRAW CUBES



GRAPPLE FOR STRAW CUBES CBP SNR 2300/1/...*

width: 2300 mm | load capacity: 900 kg | weight: 270 kg |

* EURO and SMS hook types in standard, other hook types available separately.
All given prices are nett in Euro.

EQUIPMENT FOR FRONT END LOADERS

WOOD LOGS GRAB

WOOD LOGS GRAB CD SNR 1200/...*

width: 1200 mm | load capacity: 1300 kg | weight: 300 kg |



FORK FOR PALLETS

FORK FOR PALLETS WP SNR 1200/...*

width: 1200 mm | load capacity: 1600 kg | weight: 160 kg |

FORK FOR PALLETS (frame/sleeves) WPRT SNR 1200/...*

width: 1200 mm | load capacity: 1600 kg | weight: 168 kg |



MANURE FORK

MANURE FORK WO SNR 1250/...*

width: 1250 mm | weight: 121 kg |

MANURE FORK WO SNR 1500/...*

width: 1500 mm | weight: 131 kg |

MANURE FORK WO SNR 1800/...*

width: 1800 mm | weight: 141 kg |

MANURE FORK WO SNR 2100/...*

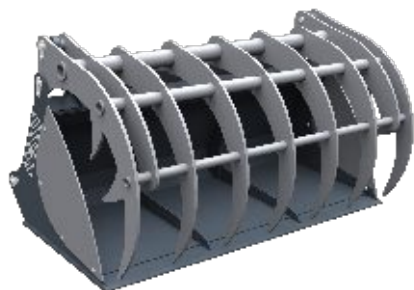
width: 2100 mm | weight: 160 kg |



* EURO and SMS hook types in standard, other hook types available separately.
All given prices are nett in Euro.

EQUIPMENT FOR FRONT END LOADERS

BUCKET-CROCODILE CLAMP TEMPERED TINES



BUCKET-CROCODILE CLAMP TEMPERED TINES ŁKP SNR 1800/2/...*

width: 1800 mm | capacity: 1,0 m³ | weight: 535 kg |

BUCKET-CROCODILE CLAMP TEMPERED TINES ŁKP SNR 2000/2/...*

width: 2000 mm | capacity: 1,1 m³ | weight: 560 kg |

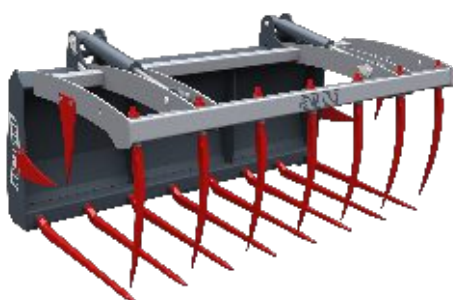
BUCKET-CROCODILE CLAMP TEMPERED TINES ŁKP SNR 2200/2/...*

width: 2200 mm | capacity: 1,2 m³ | weight: 585 kg |

BUCKET-CROCODILE CLAMP TEMPERED TINES ŁKP SNR 2400/2/...*

width: 2400 mm | capacity: 1,3 m³ | weight: 615 kg |

CROCODILE CLAMP



CROCODILE CLAMP CK SNR 1250/2/...*

width: 1250 mm | open height: 1350 mm | weight: 225 kg |

CROCODILE CLAMP CK SNR 1500/2/...*

width: 1500 mm | open height: 1350 mm | weight: 250 kg |

CROCODILE CLAMP CK SNR 1800/2/...*

width: 1800 mm | open height: 1350 mm | weight: 300 kg |

CROCODILE CLAMP CK SNR 2100/2/...*

width: 2100 mm | open height: 1350 mm | weight: 350 kg |

CROCODILE CLAMP CK SNR 2400/2/...*

width: 2400 mm | open height: 1350 mm | weight: 390 kg |

BUCKET-CROCODILE CLAMP



BUCKET-CROCODILE CLAMP ŁK SNR 1250/2/...*

width: 1250 mm | open height: 1350 mm | weight: 260 kg |

BUCKET-CROCODILE CLAMP ŁK SNR 1500/2/...*

width: 1500 mm | open height: 1350 mm | weight: 290 kg |

BUCKET-CROCODILE CLAMP ŁK SNR 1800/2/...*

width: 1800 mm | open height: 1350 mm | weight: 320 kg |

BUCKET-CROCODILE CLAMP ŁK SNR 2100/2/...*

width: 2100 mm | open height: 1350 mm | weight: 365 kg |

BUCKET-CROCODILE CLAMP ŁK SNR 2400/2/...*

width: 2400 mm | open height: 1350 mm | weight: 425 kg |

* EURO and SMS hook types in standard, other hook types available separately.
All given prices are nett in Euro.

EQUIPMENT FOR FRONT END LOADERS

COMBI CUTTER



3in1

- ✓ silage cutter
- ✓ bale shearer with the functionality for holding the cut film or mesh
- ✓ bucket for bulk materials

COMBI CUTTER W SNR 1600/2/...*

width: 1600 mm | open height: 1450 mm | weight: 510 kg + 120 kg |

Side locking of the front end loader - the reduction frame is needed

CUTTER FOR SILAGE

CUTTER FOR SILAGE WK SNR 1400/2/...*

width: 1400 mm | open height: 950 mm | weight: 470 kg |

CUTTER FOR SILAGE WK SNR 1600/2/...*

width: 1600 mm | open height: 950 mm | weight: 520 kg |



* EURO and SMS hook types in standard, other hook types available separately.

All given prices are nett in Euro.

**Hydraulic hose coupler euro standard.

EQUIPMENT FOR FRONT END LOADERS

4 in 1 MULTI-PURPOSE BUCKET



4 in 1 MULTI-PURPOSE BUCKET ŁW4w1 SNR 1650/...*

width: 1650 mm | capacity: 0,44 m³ | weight: 302 kg |

4 in 1 MULTI-PURPOSE BUCKET ŁW4w1 SNR 1850/...*

width: 1850 mm | capacity: 0,50 m³ | weight: 321 kg |

4 in 1 MULTI-PURPOSE BUCKET ŁW4w1 SNR 2050/...*

width: 2050 mm | capacity: 0,56 m³ | weight: 341 kg |

4 in 1 MULTI-PURPOSE BUCKET ŁW4w1 SNR 2250/...*

width: 2250 mm | capacity: 0,62 m³ | weight: 361 kg |

* EURO and SMS hook types in standard, other hook types available separately

HIGH-VOLUME BUCKET FOR BULK MATERIALS



HIGH-VOLUME BUCKET FOR BULK MATERIALS ŁO SNR 2000*

width: 2000 mm | capacity: 1,60 m³ | weight: 617 kg |

HIGH-VOLUME BUCKET FOR BULK MATERIALS ŁO SNR 2200*

width: 2200 mm | capacity: 1,75 m³ | weight: 634 kg |

HIGH-VOLUME BUCKET FOR BULK MATERIALS ŁO SNR 2400*

width: 2400 mm | capacity: 1,90 m³ | weight: 658 kg |

HIGH-VOLUME BUCKET FOR BULK MATERIALS ŁO SNR 2600*

width: 2600 mm | capacity: 2,05 m³ | weight: 692 kg |

HIGH-VOLUME BUCKET FOR BULK MATERIALS ŁO SNR 2800*

width: 2800 mm | capacity: 2,20 m³ | weight: 756 kg |

HIGH-VOLUME BUCKET FOR BULK MATERIALS ŁO SNR 3000*

width: 3000 mm | capacity: 2,35 m³ | weight: 784 kg |

* Attachment included in the price.
All given prices are nett in Euro.
The blade Hardox in standard.

EQUIPMENT FOR FRONT END LOADERS

UNIVERSAL BUCKET FOR BULK MATERIALS

UNIVERSAL BUCKET FOR BULK MATERIALS ŁU SNR 1200/...*

width: 1200 mm | capacity: 0,40 m³ | weight: 120 kg |

UNIVERSAL BUCKET FOR BULK MATERIALS ŁU SNR 1500/...*

width: 1500 mm | capacity: 0,50 m³ | weight: 155 kg |

UNIVERSAL BUCKET FOR BULK MATERIALS ŁU SNR 1800/...*

width: 1800 mm | capacity: 0,55 m³ | weight: 176 kg |

UNIVERSAL BUCKET FOR BULK MATERIALS ŁU SNR 2000/...*

width: 2000 mm | capacity: 0,58 m³ | weight: 187 kg |

UNIVERSAL BUCKET FOR BULK MATERIALS ŁU SNR 2200/...*

width: 2200 mm | capacity: 0,62 m³ | weight: 205 kg |

UNIVERSAL BUCKET FOR BULK MATERIALS ŁU SNR 2400/...*

width: 2400 mm | capacity: 0,72 m³ | weight: 235 kg |



Abrasion resistant blade in standard (250HB)

UNIVERSAL BUCKET FOR BULK MATERIALS - HARDOX

UNIVERSAL BUCKET FOR BULK MATERIALS ŁU SNR_H 1200/...*

width: 1200 mm | capacity: 0,40 m³ | weight: 125 kg |

UNIVERSAL BUCKET FOR BULK MATERIALS ŁU SNR_H 1500/...*

width: 1500 mm | capacity: 0,50 m³ | weight: 155 kg |

UNIVERSAL BUCKET FOR BULK MATERIALS ŁU SNR_H 1800/...*

width: 1800 mm | capacity: 0,55 m³ | weight: 182 kg |

UNIVERSAL BUCKET FOR BULK MATERIALS ŁU SNR_H 2000/...*

width: 2000 mm | capacity: 0,58 m³ | weight: 195 kg |

UNIVERSAL BUCKET FOR BULK MATERIALS ŁU SNR_H 2200/...*

width: 2200 mm | capacity: 0,62 m³ | weight: 215 kg |

UNIVERSAL BUCKET FOR BULK MATERIALS ŁU SNR_H 2400/...*

width: 2400 mm | capacity: 0,72 m³ | weight: 238 kg |



The blade Hardox in standard.

EURO and SMS hook types in standard, other hook types available separately.

All given prices are nett in Euro.





LIGHT CARGO BOX



LIGHT CARGO BOX SLL SNR 1600/...*

width: 1600 mm | capacity: 0,90 m³ | weight: 345 kg |

LIGHT CARGO BOX SLL SNR 1800/...*

width: 1800 mm | capacity: 1,00 m³ | weight: 360 kg |

LIGHT CARGO BOX SLL SNR 2000/...*

width: 2000 mm | capacity: 1,10 m³ | weight: 375 kg |

Abrasion resistand blade in standard (250HB) 15mm thick

One hydraulik cylinder

3-point suspension system as standard

HEAVY CARGO BOX



HEAVY CARGO BOX SŁ SNR 1600/...*

width: 1600 mm | capacity: 1,00 m³ | weight: 480 kg |

HEAVY CARGO BOX SŁ SNR 1800/...*

width: 1800 mm | capacity: 1,10 m³ | weight: 500 kg |

HEAVY CARGO BOX SŁ SNR 2000/...*

width: 2000 mm | capacity: 1,25 m³ | weight: 520 kg |

HEAVY CARGO BOX SŁ SNR 2200/...*

width: 2200 mm | capacity: 1,35 m³ | weight: 540 kg |

HEAVY CARGO BOX SŁ SNR 2400/...*

width: 2400 mm | capacity: 1,45 m³ | weight: 560 kg |

Abrasion resistand blade in standard (250HB) 15mm thick

two hydraulik cylinder

3- point suspension system as standard

All given prices are nett in Euro.
Hydraulic hose coupler euro standard.

MEADOW FIELD DRAG

MEADOW FIELD DRAG APW SNR 4000/...*

width: 4000 mm | weight: 540 kg |

MEADOW FIELD DRAG APW SNR 5000/...*

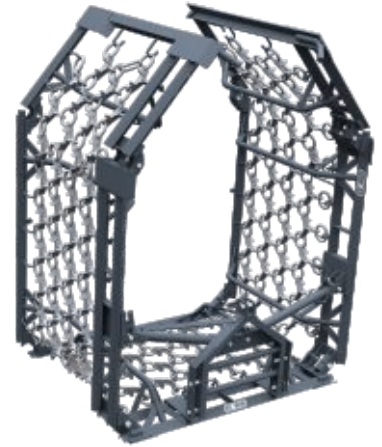
width: 5000 mm | weight: 622 kg |

MEADOW FIELD DRAG APW SNR 6000/...*

width: 6000 mm | weight: 735 kg |

MEADOW FIELD DRAG APW SNR 8000/...*

width: 8000 mm | weight: 910 kg |



Aggregate controlled hydraulically.
Two hydraulic cylinders as standard.

BIG-BAG LIFTER

BIG-BAG LIFTER PB SNR 1000/...*

load capacity: 1000 kg | weight: 110 kg |

*4 bushings as standard



BALLAST

BALLAST OBC SNR 600/...*

width: 856 mm | length: 605 mm | weight: 600 kg |

BALLAST OBC SNR 800/...*

width: 886 mm | length: 706 mm | weight: 800 kg |

BALLAST OBC SNR 1000/...*

width: 896 mm | length: 861 mm | weight: 1000 kg |

BALLAST OBC SNR 1200/...*

width: 906 mm | length: 982 mm | weight: 1200 kg |

Ballast (weight) for use at the front and rear of tractor



EQUIPMENT FOR TELEHANDLERS

CROCODILE CLAMP

CROCODILE CLAMP CK_L SNR 1800/2

width: 1800 mm | open height: 1370 mm | weight: 350 kg |

CROCODILE CLAMP CK_L SNR 2100/2

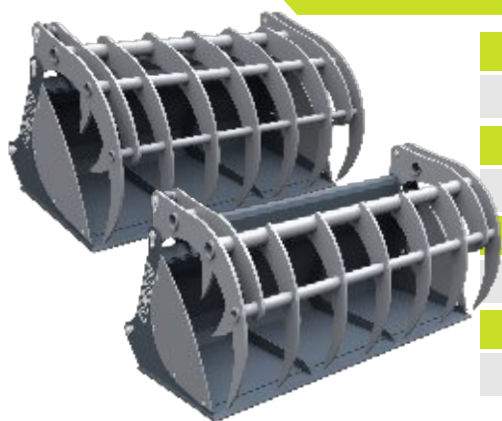
width: 2100 mm | open height: 1370 mm | weight: 380 kg |

CROCODILE CLAMP CK_L SNR 2400/2

width: 2400 mm | open height: 1370 mm | weight: 425 kg |



BUCKET-CROCODILE CLAMP TEMPERED TINES



BUCKET-CROCODILE CLAMP ŁKP_L SNR 1800/2/...*

width: 1800 mm | capacity: 1,00 m³ | weight: 615 kg |

BUCKET-CROCODILE CLAMP ŁKP_L SNR 2000/2/...*

width: 2000 mm | capacity: 1,10 m³ | weight: 645 kg |

BUCKET-CROCODILE CLAMP ŁKP_L SNR 2200/2/...*

width: 2200 mm | capacity: 1,20 m³ | weight: 665 kg |

BUCKET-CROCODILE CLAMP ŁKP_L SNR 2400/2/...*

width: 2400 mm | capacity: 1,30 m³ | weight: 705 kg |

4 in 1 MULTI-PURPOSE BUCKET

4 in 1 MULTI-PURPOSE BUCKET ŁW4w1_L SNR 1850

width: 1850 mm | capacity: 0,50 m³ | weight: 361 kg |

4 in 1 MULTI-PURPOSE BUCKET ŁW4w1_L SNR 2050

width: 2050 mm | capacity: 0,56 m³ | weight: 382 kg |

4 in 1 MULTI-PURPOSE BUCKET ŁW4w1_L SNR 2250

width: 2250 mm | capacity: 0,62 m³ | weight: 405 kg |

4 in 1 MULTI-PURPOSE BUCKET ŁW4w1_L SNR 2450

width: 2450 mm | capacity: 0,68 m³ | weight: 442 kg |



FORK FOR PALLETS



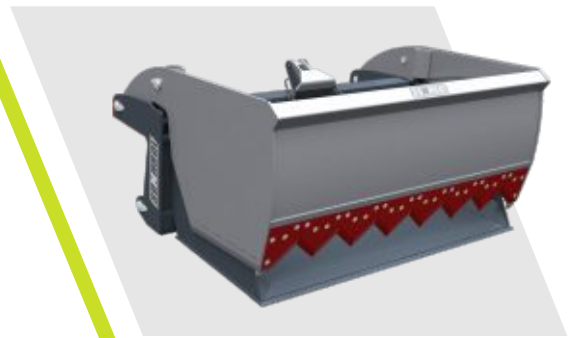
FORK FOR PALLETS WPL SNR 3500/...*

width: 1300 mm | load capacity: 3500 kg | weight: 280 kg |

* Attachment included in the price.
All given prices are nett in Euro.

EQUIPMENT FOR TELEHANDLERS

COMBO CUTTER



3in1

- ✓ silage cutter
- ✓ bale shearer with the functionality for holding the cut film or mesh
- ✓ bucket for bulk materials

COMBO CUTTER W SNR 1600/2/...*

width: 1600 mm | Open height: 1450 mm | weight: 510 kg + 120 kg + 60 kg** |

** the weight depends on the type of loader ± 65 kg

*** price for the loaders without the need for the use of a reduction bracket

JCB Q FIT and Merlo teleskopik loader the reduktion frame is needed

Merlo teleskopik loader - needed additional hydraulik lock(to maintain the hydrauloik pressure)

BALE CLAMP



BALE CLAMP CBE SNR 1700/1/...*

width: 1700 mm | load capacity: 900 kg | weight: 215 kg |

Bracket of this devices - including

All given prices are nett in Euro.

EQUIPMENT FOR MINI-LOADERS

CROCODILE CLAMP

CROCODILE CLAMP CKM SNR 900/1

width: 900 mm | open height: 800 mm | weight: 120 kg |

CROCODILE CLAMP CKM SNR 1000/1

width: 1000 mm | open height: 800 mm | weight: 125 kg |

CROCODILE CLAMP CKM SNR 1100/1

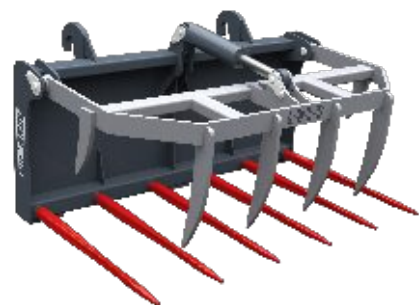
width: 1100 mm | open height: 800 mm | weight: 135 kg |

CROCODILE CLAMP CKM SNR 1200/1

width: 1200 mm | open height: 800 mm | weight: 140 kg |

CROCODILE CLAMP CKM SNR 1300/1

width: 1300 mm | open height: 800 mm | weight: 150 kg |



BUCKET-CROCODILE CLAMP

BUCKET-CROCODILE CLAMP ŁKM SNR 900/1

width: 900 mm | capacity: 0,36 m³ | weight: 130 kg |

BUCKET-CROCODILE CLAMP ŁKM SNR 1000/1

width: 1000 mm | capacity: 0,40 m³ | weight: 135 kg |

BUCKET-CROCODILE CLAMP ŁKM SNR 1100/1

width: 1100 mm | capacity: 0,44 m³ | weight: 145 kg |

BUCKET-CROCODILE CLAMP ŁKM SNR 1200/1

width: 1200 mm | capacity: 0,48 m³ | weight: 150 kg |

BUCKET-CROCODILE CLAMP ŁKM SNR 1300/1

width: 1300 mm | capacity: 0,52 m³ | weight: 157 kg |



Bracket of this devices - including.
* All given prices are nett in Euro.

EQUIPMENT FOR MINI-LOADERS

UNIVERSAL BUCKET



UNIVERSAL BUCKET ŁUM SNR 900

width: 900 mm | capacity: 0,161 m³ | weight: 64 kg |

UNIVERSAL BUCKET ŁUM SNR 1000

width: 1000 mm | capacity: 0,180 m³ | weight: 69 kg |

UNIVERSAL BUCKET ŁUM SNR 1100

width: 1100 mm | capacity: 0,198 m³ | weight: 74 kg |

UNIVERSAL BUCKET ŁUM SNR 1200

width: 1200 mm | capacity: 0,217 m³ | weight: 78 kg |

UNIVERSAL BUCKET ŁUM SNR 1300

width: 1300 mm | capacity: 0,235 m³ | weight: 83 kg |

UNIVERSAL BUCKET ŁUM SNR 1400

width: 1400 mm | capacity: 0,254 m³ | weight: 88 kg |

4 in 1 MULTI-PURPOSE BUCKET



4 in 1 MULTI-PURPOSE BUCKET ŁW4w1 SNR 1650/...*

width: 1150 mm | capacity: 0,35 m² | weight: 241 kg |

4 in 1 MULTI-PURPOSE BUCKET ŁW4w1 SNR 1850/...*

width: 1250 mm | capacity: 0,38 m² | weight: 351 kg |

4 in 1 MULTI-PURPOSE BUCKET ŁW4w1 SNR 2050/...*

width: 1350 mm | capacity: 0,44 m² | weight: 361 kg |

4 in 1 MULTI-PURPOSE BUCKET ŁW4w1 SNR 2250/...*

width: 1450 mm | capacity: 0,50 m² | weight: 271 kg |

Side locking of the front end loader - the reduction frame is needed

Wear - resistance blade Hardox (500HB) additional payment- 110euro/1m

Wear resistance blade Hardox (500HB) punched additional payment - 200 euro/1m

Male and female quick coupler on hydraulic connecting hoses - standard

Special hydraulic quick couplings on hydraulic connection hoses(eg. Merlo/Jcb/Manitou etc.)
additional payment according to the spare parts catalog.

When purchasing devices for Merlo / Dieci telehandlers, should be added- hydraulik lock
(maintaining hydraulik pressure)- according to the price list of spare parts.

*All given prices are nett in Euro.



LIST OF REDUCTION FRAMES*

LP	TYP
1.	ATLAS 14 - EURO
2.	AVANT - EURO
3.	BOBCAT (NA RURZE) -BOBCAT (NA RURZE)
4.	BOBCAT (NA RURZE) - EURO
5.	BOBCAT MAŁY (BLASZANY) - EURO
6.	CAT TH407C - EURO
7.	CAT TH407C - MANITOU
8.	CLASS SCORPION - EURO
9.	CLASS SCORPION - MANITOU
10.	CLASS SCORPION - MERLO ZM2
11.	CLASS TARGO K50 - EURO
12.	DEUTZ FAHR - EURO
13.	DEUTZ FAHR - MAILLEUX
14.	DIECI AGRI FARMER - EURO
15.	DIECI AGRI FARMER - MANITOU
16.	DIECI AGRI FARMER - SMS
17.	DIECI MINI AGRI 25.6 - EURO
18.	DIECI MINI AGRI 25.6 - SMS
19.	EURO - DEUTZ FAHR
20.	EURO -DIECI MINI AGRI
21.	EURO - EURO
22.	EURO - GIANT MAŁY
23.	EURO - JCB Q-FIT
24.	EURO - MAILLEUX
25.	EURO - MANITOU
26.	EURO - MERLO ZM2
27.	EURO - PICHON P126
28.	EURO - SMS
29.	EURO - TRÓJKĄT
30.	EURO - TUZ. KAT.2
31.	FAUCHEUX - EURO
32.	GIANT MAŁY - EURO
33.	HERCULES DUŻY - EURO
34.	HERCULES MAŁY - SMS
35.	JCB 3CX MECHANICZNY - EURO
36.	JCB 520 - EURO
37.	JCB 526 - EURO
38.	JCB 526 - SMS
39.	JCB Q-FIT - TUZ KAT.2
40.	JCB Q-FIT - TUZ KAT.3N
41.	JCB Q-FIT - EURO
42.	JCB Q-FIT - MERLO ZM2
43.	JCB Q-FIT - MAILLEUX
44.	JCB Q-FIT - DEUTZ FAHR
45.	JCB Q-FIT - MANITOU
46.	JCB Q-FIT - SMS

LP	TYP
47.	JOHN DEERE - EURO
48.	JOHN DEERE - JCB Q-FIT
49.	JOHN DEERE -SMS
50.	KRAMER DUŻY - EURO
51.	LIEBHERR 506 - EURO
52.	MAILLEUX - EURO
53.	MAILLEUX - MANITOU
54.	MAILLEUX - SMS
55.	MANITOU - BOBCAT (NA RURZE)
56.	MANITOU - EURO
57.	MANITOU - JCB Q-FIT
58.	MANITOU - MAILLEUX
59.	MANITOU - DEUTZ FAHR
60.	MANITOU - MERLO ZM2
61.	MANITOU - SMS
62.	MANITOU - TUZ KAT.2
63.	MERLO ZM2 - EURO
64.	MERLO ZM2 - MANITOU
65.	MERLO ZM2 - SMS
66.	MERLO ZM2 - TUZ KAT.2
67.	MERLO ZM2 - MAILLEUX
68.	MERLO ZM3 - EURO
69.	MUSTANG - EURO
70.	NEW HOLLAND - EURO
71.	NEW HOLLAND - SMS
72.	NEW HOLLAND - TUZ KAT.2
73.	NEW HOLLAND KOPARKO ŁADOWARKA - B5115B EURO
74.	PAUS - EURO
75.	PICHON126 - EURO
76.	SHAFFER (KWADRATOWY PRĘT RAMKI) - EURO
77.	SCHAFFER KLASA DYNAMICZNA - EURO
78.	SCHAFFER KLASA KOMPAKT - EURO
79.	SMS - EURO
80.	STRIEGEL - EURO
81.	TEREX 730 - EURO
82.	TEREX 730 - MANITOU
83.	TEREX TL80-120 - EURO
84.	SMS - MANITOU
85.	TUZ - EURO
86.	TUZ - MAILLEUX
87.	VOLVO BM - EURO
88.	VOLVO L30B Z-X - EURO
89.	VOLVO L30B Z-X - SMS
90.	WEIDEMANN - EURO
91.	WEIDEMANN - SMS
92.	ZETTELMEYER ZL502 - EURO

*Confirm compliance with the technical drawing when ordering
All given prices are nett in Euro.

DRINKING BOWLS FOR ANIMALS

B200 cast iron drinking bowl

use: for cattle

bowl depth: 8.5 cm

efficiency: from 5 to 19 l/min



EURO 1 cast iron drinking bowl

use: for cattle

bowl depth: 10 cm

efficiency: 15 l/min



EURO 3 cast iron drinking bowl

use: for cows and porkers

bowl depth: 10 cm

efficiency: from 6 to 19 l/min



PW cast iron drinking bowl

use: for porkers and sows

efficiency: from 2 to 6 l/min



TM cast iron drinking bowl

use: for pigs

efficiency: from 2 to 6 l/min



Nipple drinker

use: for pigs

efficiency: 2 l/min



* All given prices are nett in Euro.

Sonarol Sp.j. Najda

**Production plant
ul. Przemysłowa 40, Jeziorko,
18-421 Piątnica
tel. 86 211 20 20
e-mail: maszyny@sonarol.pl
www.sonarol.pl**

Authorized Dealer

